

EMPOWR™ COMPLEX PRIMARY KNEE

Together, the EMPOWR Universal Tibia and EMPOWR VVC™ Tibial Insert broaden the clinical indications of the EMPOWR Knee System™, providing seamless transitions between standard primary, complex primary and revision knee arthroplasty procedures.

AUXILIARY CONSTRAINT

The Varus Valgus Constrained (VVC) insert is designed to provide the necessary support and stability in knees with soft tissue deficiencies



e+™ POLYETHYLENE

This knee-specific formula, blended with vitamin E and moderately cross-linked, reduces oxidation and long-term wear¹

WIDE RANGING GAP CORRECTION

Multiple insert thicknesses to support up to 49mm of tibiofemoral gap correction when augments are used

VERSATILE, ASYMMETRIC BASEPLATE DESIGN

Maximizes cortical coverage and prevents overhang for long-term fixation² and can be used as a primary baseplate with the use of a stem plug, or with a stem and/or augments



ROBUST LOCKING MECHANISMS

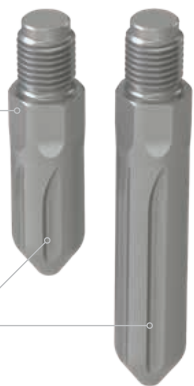
Dovetail and posterior captures facilitate poly insertion and securely lock insert in place. The Reinforcement Pin capture in conjunction with the Reinforcement Pin reduces the flexion load exerted on thicker inserts (22 and 25mm) and transfers it to the baseplate³

TIERED KEEL SIZES

3 size specific lengths to closely match patient anatomy and help preserve bone

CEMENTED TIBIAL STEMS

Optional stems available in multiple lengths and diameters to provide additional stability



RIGID FIXATION

Multiple cement channels designed to allow for increased cement fixation



CEMENTED TIBIAL AUGMENTS

Optional half-block augments can be used in both medial and lateral compartments and rigidly fix to the tibial baseplate with a single screw

STACKING FLEXIBILITY

Stackable up to 15mm in blocked or tapered configurations to appropriately match tibial anatomy



EMPOWR™ COMPLEX PRIMARY KNEE

EMPOWR VVC™ TIBIAL INSERT

THICKNESSES	10, 12, 14, 16, 19, 22*, 25*mm
VARUS/VALGUS CONSTRAINT	± 3.5°
INTERNAL/EXTERNAL ROTATION	± 5.5°
MATERIAL	e+™ UHMWPE

EMPOWR UNIVERSAL TIBIAL BASEPLATE

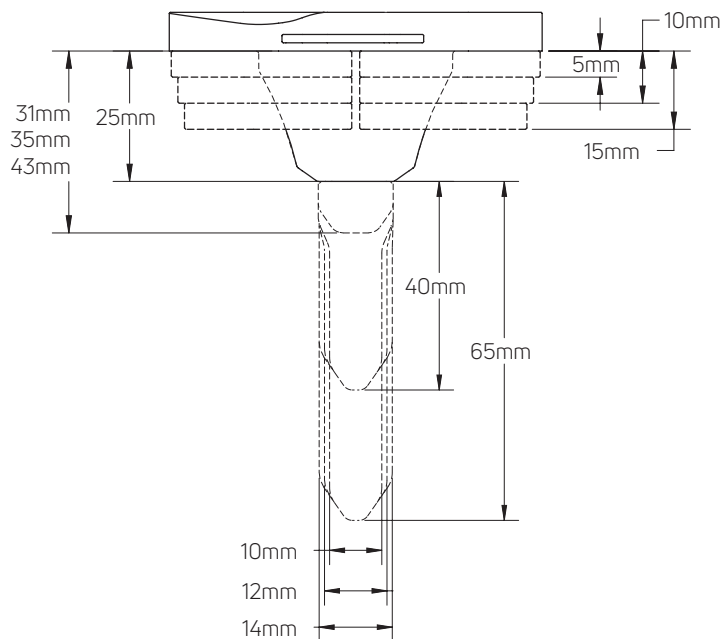
SIZES	2-11 (Asymmetric)
KEEL LENGTHS	2-3 (31mm), 4-8 (35mm), 9-11 (43mm)
EMPOWR INSERT COMPATIBILITY	CR, 3D, PS, VVC
MATERIAL	CoCr

EMPOWR UNIVERSAL TIBIAL STEM

LENGTHS	40, 65mm
DIAMETERS	10, 12, 14mm
FIXATION	Cemented
MATERIAL	CoCr

EMPOWR UNIVERSAL TIBIAL AUGMENT

THICKNESS	5mm
MAXIMUM STACK HEIGHT	15mm
FIXATION	Ti Screw (5, 10, 15mm)
MATERIAL	Ti



- * Reinforcement pin required
- 1. e+™ Surgeon Testing Summary 0011110-004
- 2. 3DKnee™ Technical Monograph 0011102-004
- 3. EMPOWR VVC™ Locking Mechanism Testing PR17-063-01

Individual results may vary. DJO Surgical® is a manufacturer of orthopedic implants and does not practice medicine. Only an orthopedic surgeon can determine what treatment is appropriate. The contents of this document do not constitute medical, legal or any other type of professional advice. This material is intended for the sole use and benefit of the DJO Surgical sales force and physicians. It is not to be redistributed, duplicated or disclosed without the express written consent of DJO Surgical. For product information, including indications, contraindications, warnings, precautions and side effects, refer to the Instructions for Use supplied with the device.