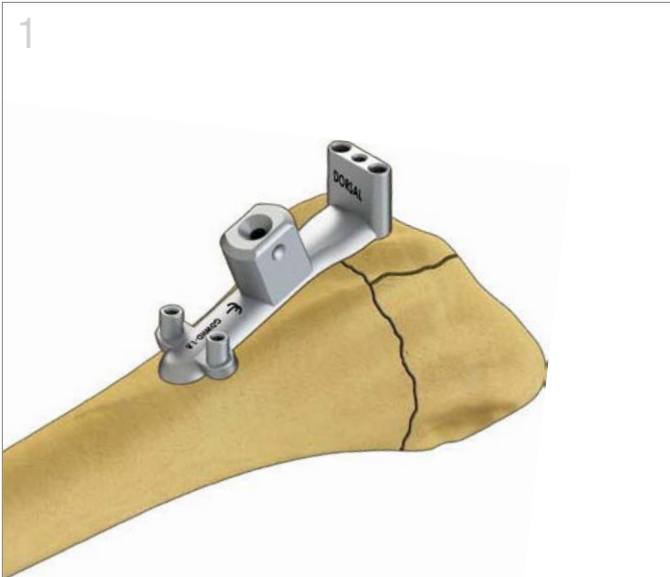




Dorsal Hook Plate

Surgical Technique | *TriMed Wrist Fixation System*





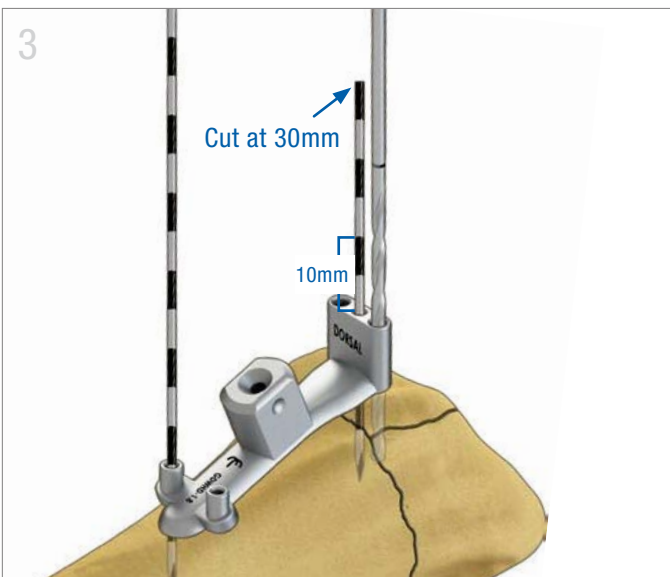
Exposure and Reduction

- Ulnar to Lister's incise the skin. Next, incise the dorsal retinacular sheath. Continue dissection between either 3rd and 4th or 4th and 5th compartments. Transpose EPL if needed.
- Reduce the fracture and temporarily fix with K-wires as needed.
- Apply the Dorsal Drill Guide in the desired position. (see note 1)



Stabilize Guide and Check Position

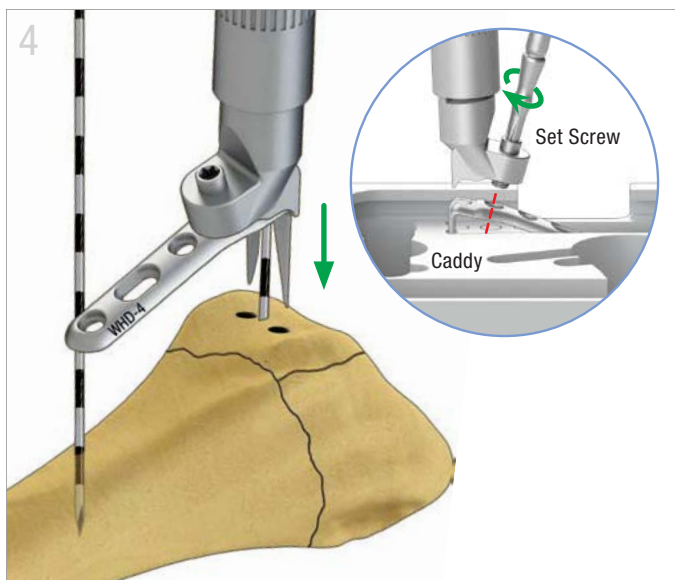
- Insert a 1.1mm (0.045") K-wire through the center distal hole of the guide to verify hook positions.
- Confirm with a C-arm that the distal K-wire is subchondral to the joint.
- Insert a second K-wire into a proximal hole in the guide.



Drill Distal Holes

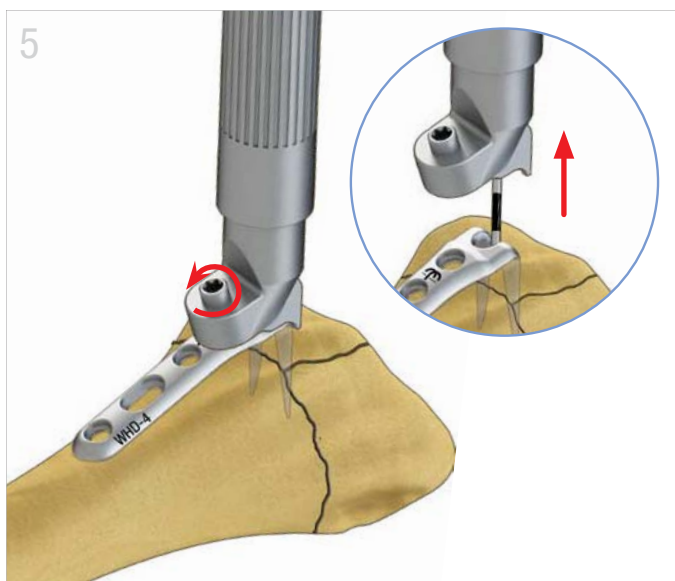
- Cut the distal K-wire about 30mm (3 sets of stripes) above the guide.
- Drill the two outer holes at the distal end of the guide with a 1.8mm (blue) drill.
- Slide guide off the K-wires.

Note: The Extender Guide can be used as a handle for the drill guide.



Insert Dorsal Hook Plate

- Using the assembly slot in the caddy, secure the impactor onto the plate with the set screw.
- Engage the cannula of the impactor over the distal guide wire and guide the hooks into the drilled holes.
- Seat implant to bone. (see note 2)



Drill Locking Peg

- Disengage the set screw from the plate and slide impactor off the guide wire.
- Remove distal guide wire.



Complete Fixation

- Complete proximal fixation with 2.3mm cortical screws.
- Apply additional plates as needed.

Note: The proximal K-wire can be used to help guide the edge of the implant into position proximally.



Indications, contraindications, warnings and precautions related to TriMed Wrist Hook Plates reference IFU, LC-73-0004-008.

All implants made from surgical grade stainless steel

Dorsal Hook Plate

WHD-4
WHD-6



Dorsal Drill Guide

GDWHD-1.8

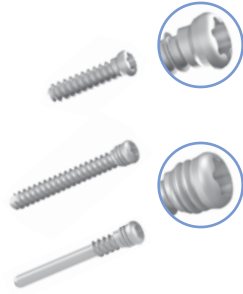


Screw and Pegs

TRX2.3-xx
10mm to 32mm

TPEG-xx
14mm to 32mm

UPEG-xx
14mm to 28mm



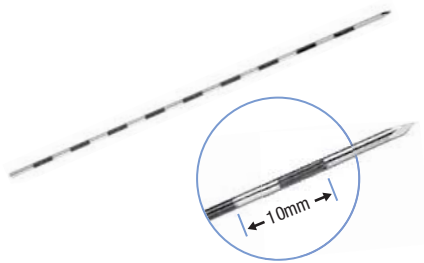
Impactor

IMPCT-WHD



K-Wire

WIRE-1.1/100



Extender Guide

XTNDRGUIDE



TriMed, Inc. / 27533 Avenue Hopkins / Valencia, CA 91355 USA / 800-633-7221 / www.trimedortho.com

The presently issued U.S. patents are: 6,113,603; 7,037,308; 7,044,951; 7,195,633; 7,540,874; 7,942,877; 8,177,822; 8,821,508; 8,906,070; 9,089,376; 9,283,010; 9,220,546; 9,237,911; 9,402,665; 9,636,157; 9,861,402. See trimedortho.com for all listed patents.

The technique presented is one suggested surgical technique. The decision to use a specific implant and the surgical technique must be based on sound medical judgment by the surgeon that takes into consideration factors such as the circumstances and configuration of the injury.

This document is controlled by TriMed, Inc. When downloaded, printed, and/or copied, this document becomes uncontrolled, and users should always check trimedortho.com for the latest version.